



**VALVES**

TRUEWAFER BUTTERFLY-  
DUCTILE IRON - 200 WOG/CWP

FEATURES & APPLICATIONS:

- 200 WOG/CWP

TECHNICAL DATA:

- **WOG** = Rating indicates the maximum non-shock pressure at ambient temperatures at which the valve may be used.
- **CWP** = Cold working pressure

**WOG:** Water, Oil & Gas: This was an older, generic pressure rating call-out which has been largely replaced by CWP. In this designation, "GAS" refers to any non-flammable, compressible fluid in a gaseous state. It does not imply a product's suitability or third-party approval for use with flammable gases. Similarly, in this designation, "Oil" does not imply a product's third-party approval for use with any petroleum products.



SERIES

**WV XXVSS**

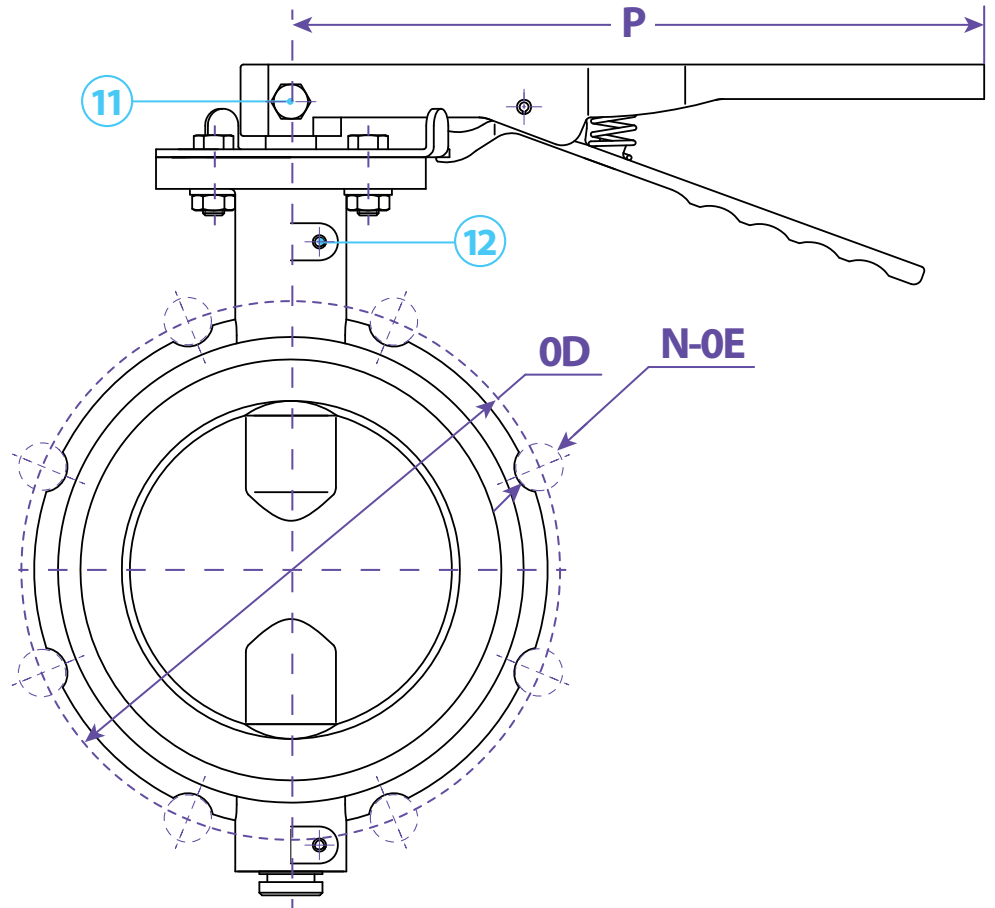
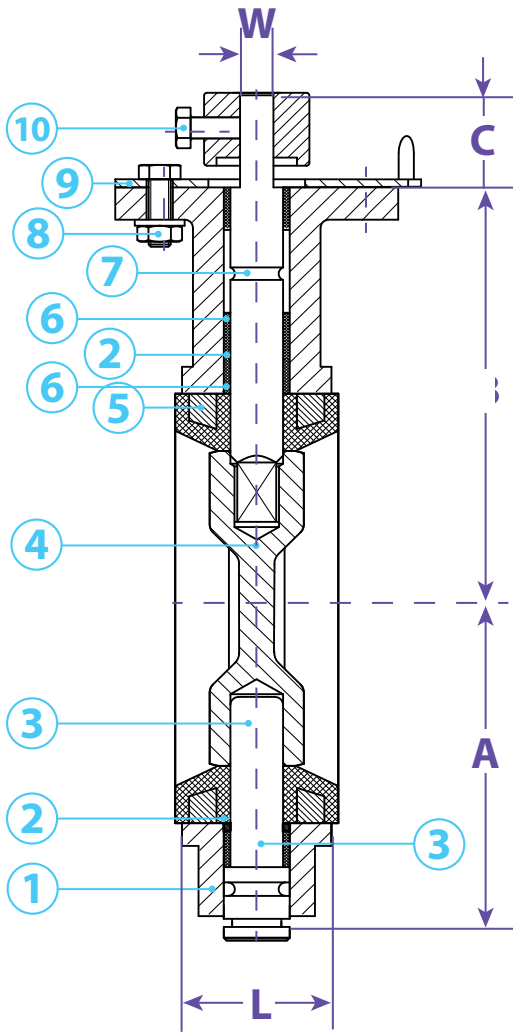
DUCTILE IRON	
Size	Part #
2"	WV 2VSS
3"	WV 3VSS
4"	WV 4VSS
6"	WV 6VSS
8"	WV 8VSS
10"	WV 10VSS
12"	WV 12VSS

All drawings and specifications are subject to change without notice. Drawings represent general dimensions of our products. Seal Fast Inc. cannot guarantee the dimensions will exactly match those in the drawing. The drawing is the property of Seal Fast Inc. Copying or reproduction of this drawing is expressly prohibited.



**SEALFAST**  
THE SIMPLE SOLUTION

# PIPE FITTINGS & VALVES



### Dimensions

Size	A	B	C	OD	N-OE	L	P	W	Part #
2"	2.99	3.93	1.10	4.75	.16 - .75	1.65	10.24	.39	WVA 2VSS
3"	3.66	4.92	1.10	6	.16 - .75	1.77	10.24	.39	WVA 3VSS
4"	4.29	6.02	1.10	7.5	.16 - .75	2.05	10.24	.47	WVA 4VSS
6"	5.35	6.69	1.10	9.5	.16 - .75	2.20	10.24	.55	WVA 6VSS
8"	6.54	9.45	1.50	11.75	.16 - .75	2.36	14.17	.70	WVA 8VSS
10"	7.83	11.22	1.50	14.75	.16 - .75	2.60	14.17	.87	WVA 10VSS
12"	9.37	11.22	1.50	17	.16 - .75	3.03	14.17	.94	WVA 12VSS

### Material

No.	Description	Material
1	Body	Ductile Iron & Epoxy Coating (red)
2	O-Ring	BUNA
3	Lower Stem	SS410
4	Disc	316 SS Disc
5	Seat	FMK
6	Bushing	PTFE
7	Upper Stem	SS410
8	Boly & Nut	Carbon Steel
9	Locking Plate	Carbon Steel
10	Locking Bolt	Carbon Steel
11	Lever	Malleable Cast Iron
12	Spring Pin	Carbon Steel

SERIES  
**WV XXN**



TITLE <b>TRUEWAFER BUTTERFLY VALVE</b>	
<p><b>DISCLAIMER</b></p> <p>This drawing is for informational purposes only, subject to change without notice. It is not intended for use in the design of any product. It does not imply a product's suitability for use with flammable or combustible fluids or gases. Similarity in this designation "Oil" does not imply a product's third-party approval for use with any petroleum products. Copying or reproduction of this drawing is expressly prohibited.</p>	MATERIAL <b>DUCTILE IRON</b>
<b>DRAWING NOT TO SCALE</b>	PART # <b>WV..VSS</b>